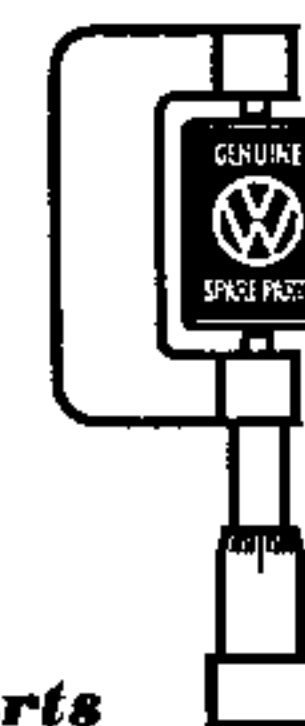
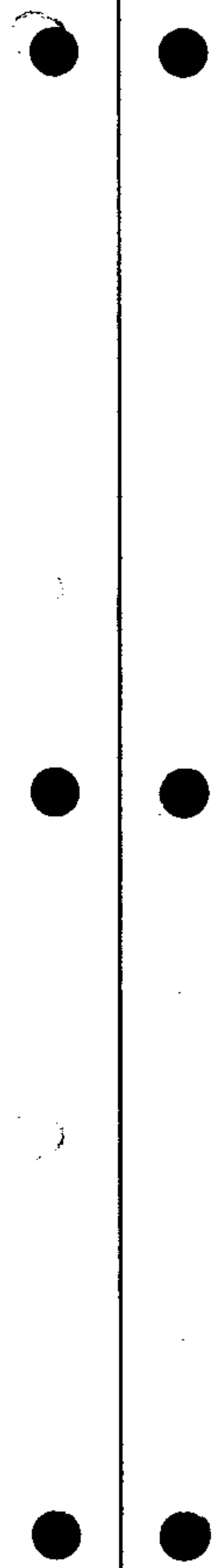


Part No.	Description	Quantity
211 198 635	Repair kit for clutch cover 211 141 025 A from Engine No. 6 908 640	
	comprising:	
113 141 125	Clutch release ring	1
211 141 129	Clutch release lever	3
311 141 131	Pin - Bolt	3
311 141 133	Bolt	3
311 141 135 A	Thrust washer 18 mm dia. - Adjusting nut	3
311 141 137	Adjusting nut	3
111 141 141	Return spring - Clutch release lever	3
211 141 145 A	Spring - Clutch release ring	3
111 198 651	1 set of linings - Clutch plate 111 141 031/A	
	comprising:	
111 141 191 A	Lining - Clutch plate	2
311 141 195	Rivet	16
111 198 651 A	1 set of linings - Clutch plate 111 141 031	
	comprising:	
	Lining - Clutch plate	1
	Lining - Clutch plate	1
	Tubular rivet - Clutch plate lining	16
211 198 653	1 set of linings - Clutch plate 211 141 031/A	
	comprising:	
	Lining - Clutch plate	1
	Lining - Clutch plate	1
	Tubular rivet - Clutch plate lining	16
311 198 653 A	1 set of linings - Clutch plate 311 141 031 B	
	comprising:	
211 141 191 B	Lining - Clutch plate	1
311 141 191 A	Lining - Clutch plate	1
311 141 195 A	Rivet	16

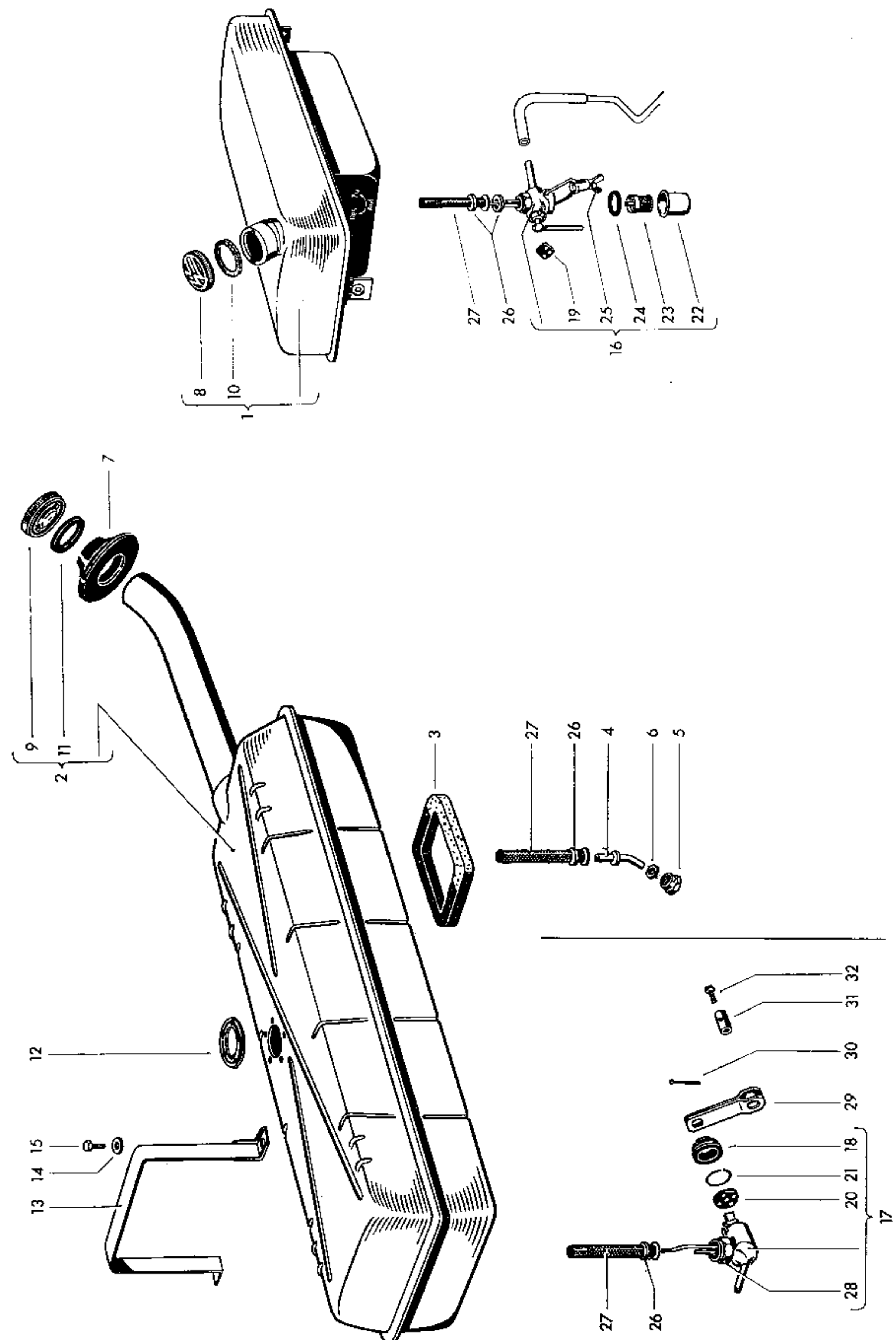
MAIN GROUP

**FUEL TANK
EXHAUST SYSTEM
HEATER SYSTEM**

	Illustration
01 Fuel tank	21
09 Fuel tap	21
51 Exhaust system	22
55 Heater system	22
61 Eberspächer stationary heater	22 a
98 Repair kits	—



Genuine VW Parts
rigidly factory inspected



Key No.	Part No.	Description	Quantity	Type and model
FUEL TANK				
1		no longer available		
2	211 201 055 B	Fuel tank with filler cap 60 mm dia. from Chassis No. 20 - 117 902	1	
-	261 201 055	Fuel tank with filler cap 80 mm dia. up to Chassis No. 20 - 117 901	1	261, 263
-	211 201 145	Ring, threaded - Fuel gauge (tank unit)	1	
3	211 201 195	Gasket - Fuel tank	1	
4	311 201 221	Feed pipe	1	211-264 from Chassis No. 802 986
5	311 201 231 A	Nut - Feed pipe	1	211-264 from Chassis No. 802 986
6	311 201 235	Gasket - Feed pipe	1	211-264 from Chassis No. 802 986
7	211 201 255	Gasket - Fuel tank filler	1	
-	111 201 551	Filler cap 100 mm dia. up to Chassis No. 20 030 867	1	211-244
8	111 201 551 A	Filler cap 80 mm dia.	1	
9	211 201 551	Filler cap 60 mm dia.	1	
-	111 201 557 B	Gasket (rubber) - Fuel tank filler cap 111 201 551	1	211-244
10	111 201 557 C	Gasket (rubber) - Fuel tank filler cap 111 201 551 A	1	
11	211 201 557 A	Gasket (rubber) - Fuel tank filler cap 211 201 551	x	

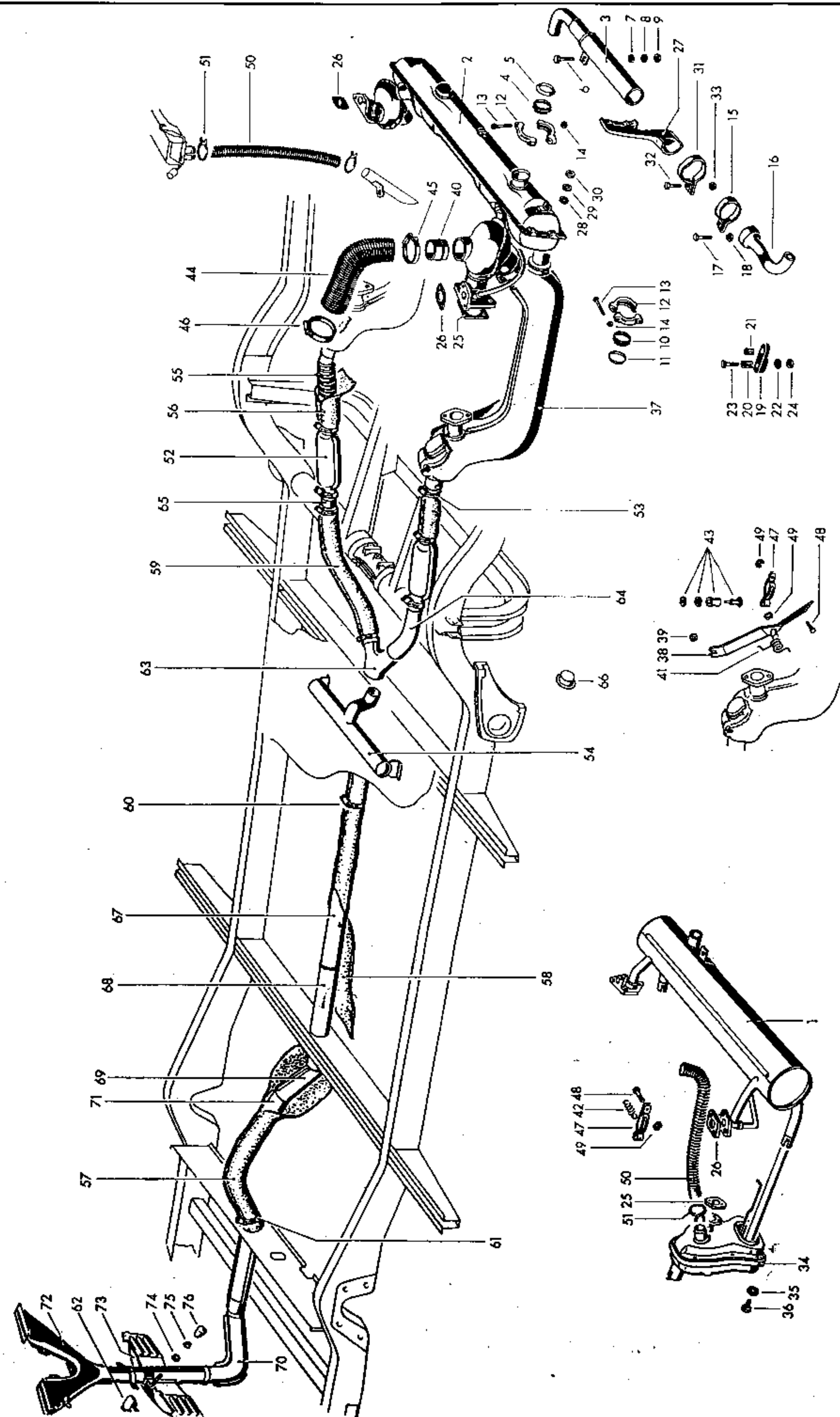


Key No.	Part No.	Description	Quantity	Type and model
12	111 201 571	Cover - Tank unit opening	x	
-	113 919 133	Gasket - Filler cap	1	
-	N 13 802 1	Sealing washer A 5x9	5	
-	N 10 209 1	Bolt, hex. head M 5x25	5	
13	261 201 651	Mounting strap - Fuel tank from Chassis No. 20 - 117 902	2	
14	N 11 526 2	Washer B 8.4	2	211-244, 271-274
15	N 10 247 3	Bolt, hex. head M 8x35	2	211-244, 271-274



Key No.	Part No.	Description	Quantity	Type and model
FUEL TAP				
16	211 209 021 A	Fuel tap (pipe connection 6 mm O.D.) up to Chassis No. 20 - 117 901	1	
17	211 209 021 E	Fuel tap		
		from Chassis No. 20 - 117 902	1	271-274
		from Chassis No. 20 - 117 902 up to 802 985	1	211-268
18	111 209 095	Rubber cap - Fuel tap 211 209 021 D/E	1	
19	111 209 113	Seal - Fuel tap cone (fuel taps 211 209 021/A) ...	1	
20	111 209 113 A	Seal - Fuel tap cone (fuel tap 211 209 021 D/E) ..	1	
21	211 209 115	Circlip - Fuel tap 211 209 021/A/D/E	1	
-	111 209 117	Filter bowl - Fuel tap	1	
22	111 209 117 A	Filter bowl - Fuel tap with wing nut	1	
-	111 209 119	Filter - Fuel tap	1	
23	111 209 119 A	Filter - Fuel tap with wing nut	1	
-	111 209 125	Screw - Fuel tap filter	1	
24	111 209 129	Sealing washer - Fuel tap filter bowl	1	
25	111 209 131	Wing nut - Fuel tap	1	
-	111 209 133	Knurled nut - Fuel tap	1	
26	111 209 139	Sealing washer - Fuel filter in tank	1	
27	111 209 147 A	Fuel filter	1	

Key No.	Part No.	Description	Quantity	Type and model
28	111 209 159	Nut, hex. - Fuel tap	1	
29	211 209 165	Lever - Fuel tap	1	
30	N 12 507 1	Cotter pin 1.5×15	1	
-	261 209 163	Operating rod - Fuel tap	1	261-264
-	111 911 911	Grommet - Fuel tap handle	1	261-264
-	N 12 531 1	Cotter pin 3×22	1	261-264
31	211 209 173	Bolt - Bowden cable retaining	1	
32	111 937 135	Set screw	1	
-	N 20 357 1	Hose 7×2.5 (325 mm)	*	
-	N 20 355 1	Hose 5×2.5 (325 mm)	*	
-	111 209 189	Grommet - Fuel pipe 8 mm dia.	1	261-264
-	111 209 189 A	Grommet - Fuel pipe 6 mm dia.	1	261-264
-	113 209 205	Plug - Fuel hose	x	



Key No.	Part No.	Description	Quantity	Type and model
EXHAUST SYSTEM				
-	211 251 051 B	Muffler - Exhaust up to Engine No. 3 399 999 (use 211 298 001 for mounting)	4	25-, 30 bhp
1	211 251 053 C	Muffler - Exhaust from Engine No. 3 400 000 up to 7 336 419 (use 111 298 007 and 211 298 053 for mounting)	1	30-, 34 bhp
-	211 251 053 J	Muffler - Exhaust from Engine No. 7 336 420 up to 8 964 971 (when mounting use 111 298 009 and 211 298 053 up to Engine No. 7 999 651 111 298 009 and 211 298 055 from Engine No. 7 999 652)	4	34 bhp
2	211 251 051 E	Muffler - Exhaust (when mounting use 111 298 009 and 211 298 053 up to Chassis No. 1 144 281 111 298 009 and 211 298 055 from Chassis No. 1 144 282)	4	42-, 44 bhp
3	211 251 157 B	Damper pipe - Muffler 211 251 053 C/F/H/J/KL ...	1	
4	111 251 221	Sealing washer, 32 mm dia. - Damper pipe	1	
5	111 251 223	Seal, 32 mm dia. - Damper pipe	1	
6	N 10 238 7	Bolt, hex. head M 8x15	1	
7	N 12 008 2	Lock washer B 8	1	
8	N 11 526 2	Washer B 8.4	1	
9	N 11 008 8	Nut, hex. M 8	1	
-	211 251 185 B	Tail pipe - Muffler up to Engine No. 3 399 999 ...	1	
-	111 251 221	Seal, 32 mm dia. - Exhaust pipe up to Engine No. 7 336 419	2	
-	111 251 223	Seal, 32 mm dia. - Exhaust pipe up to Engine No. 7 336 419	2	

MAIN GROUP

2

FUEL TANK
EXHAUST SYSTEM
HEATER SYSTEM

Exhaust system

Key No.	Part No.	Description	Quantity	Type and model
10	111 251 241	Seal, 35 mm dia. between heat exchanger and muffler (marked white) from Engine No. 7 336 420	2	
11	111 251 233 B	Seal, 35 mm dia. between heat exchanger and muffler from Engine No. 7 336 420	2	
12	111 251 269 A	Clip	6	
13	N 10 348 3	Bolt, hex. head BM 6×43	6	
14	113 251 273	Nut, hex. M 6 (self locking)	6	
15	211 251 225	Clip – Tail pipe	1	
16	211 251 237 A	Tail pipe – Exhaust system	1	
17	113 415 421	Bolt, hex. head	1	
18	N 11 008 8	Nut, hex. M 8	1	
19	211 251 245	Rubber buffer up to Engine 7 999 651	1	
20	211 251 247	Bush, length 18 mm up to Engine No. 7 999 651	1	
21	211 251 249	Bush, length 14 mm up to Engine No. 7 999 651	1	
22	111 821 149 A	Spring washer	3	
23	N 10 247 3	Bolt, hex. head M 8×35	1	
24	N 11 008 8	Nut, hex. M 8	1	
–	111 251 263 A	Gasket – Pre-heating pipe up to Engine No. 3 399 999	2	
25	111 251 261 B	Gasket – Exhaust pipe flange	4	
–	N 10 239 0	Bolt, hex. head M 8×18	4	
26	113 251 263	Gasket – Pre-heating pipe from Engine No. 3 400 000	2	

MAIN GROUP

2

FUEL TANK
EXHAUST SYSTEM
HEATER SYSTEM

Exhaust System

Key No.	Part No.	Description	Quantity	Type and model
27	211 251 301	Bracket – Damper pipe from Engine No. 7 999 652	1	
–	N 10 238 7	Bolt, hex. head M 8×15 Damper pipe bracket	2	
28	N 11 526 2	Washer B 8.4	2	
29	N 12 241 2	Spring washer B 8×15	2	
30	N 11 008 8	Nut, hex. M 8	2	
31	211 251 307	Clip – Damper pipe bracket from Engine No. 7 999 652	1	
32	N 10 242 5	Bolt, hex. head BM 8×25	2	
33	N 11 008 8	Nut, hex. M 8	2	

MAIN GROUP



FUEL TANK
EXHAUST SYSTEM
HEATER SYSTEM

Heater system

Key No.	Part No.	Description	Quantity	Type and model
HEATER SYSTEM				
-	111 255 101 C	Heater junction box, left up to Engine No. 3 399 999	1	
34	113 255 101 A	Heater junction box, left from Engine No. 3 400 000 up to 7 336 419	1	
-	111 255 102 C	Heater junction box, right up to Engine No. 3 399 999	1	
-	113 255 102	Heater junction box, right from Engine No. 3 400 000 up to 7 336 419	1	
-	N 10 211 1	Bolt, hex. head M 6×12 SZ	10	
35	N 12 105 1	Spring washer A 6,4	12	
36	N 13 889 1	Tapping screw, hex. head BZ 6.3×11	12	
37	113 255 107	Heat exchanger left without heater flap lever from Engine No. 7 336 420 up to 8 964 971 from Engine No. 143 543 (Seal off carburetor pre-heating opening with 113 255 117)	1	Engine - 1.2 Liter Engine - 1.5 Liter
-	113 255 108	Heat exchanger right without heater flap lever from Engine No. 7 336 420 up to 8 964 971 from Engine No. 143 543 (Seal off carburetor pre-heating opening with 113 255 117 up to Engine No. H 0 150 202)	1	Engine - 1.2 Liter Engine - 1.5 Liter
-	113 255 117	Plug for pre-heater pipe in heat exchanger	x	
-	113 255 147 A	Heater flap lever - Heat exchanger from Engine No. 7 336 420 up to 8 665 800 from Engine No. 143 543 up to 576 551	1	Engine - 1.2 Liter Engine - 1.5 Liter
38	113 255 147 B	Heater flap lever - Heat exchanger from Engine No. 8 665 801 up to 8 964 971 from Engine No. 576 552	1	Engine - 1.2 Liter Engine - 1.5 Liter

MAIN GROUP



FUEL TANK
EXHAUST SYSTEM
HEATER SYSTEM

Heater system

Key No.	Part No.	Description	Quantity	Type and model
-	113 255 148 A	Heater flap lever - Heat exchanger from Engine No. 7 336 420 up to 8 665 800 from Engine No. 143 543 up to 576 551	1	Engine - 1.2 Liter Engine - 1.5 Liter
-	113 255 148 B	Heater flap lever - Heat exchanger from Engine No. 8 665 801 up to 8 964 971 from Engine No. 576 552	1	Engine - 1.2 Liter Engine - 1.5 Liter
39	N 12 055 1	Clamping plate 5	2	
40	113 255 165	Connection pipe - Heater pipe	2	
-	113 255 181	Outlet pipe 60 mm dia. with flaps - Heat exchanger, left	1	
-	113 255 182	Outlet pipe 60 mm dia. with flaps - Heat exchanger, right	1	
-	113 255 203 E	Cover - Warm air opening on heat exchanger, left (seal off carburetor pre-heating opening with 113 255 117)	1	
-	113 255 204 E	Cover - Warm air opening on heat exchanger, right	1	
41	113 255 249	Return spring - Heater flap lever, left	1	
-	113 255 250	Return spring - Heater flap lever, right	1	
-	111 255 271 A	Return spring - Heating control (dual control only)	2	
-	111 255 271 B	Return spring - Heating control in heater junction box up to Engine No. 3 399 999	2	
42	113 255 271	Return spring - Heating control in heater junction box from Engine No. 3 400 000 up to 7 336 419	2	
43	111 298 101	1 set of fixing components for heater control cable up to Engine No. 216 054 821	x	
-	111 298 101 A	1 set of fixing components for heater control cable from Engine No. 216 054 822	x	

MAIN GROUP



FUEL TANK
EXHAUST SYSTEM
HEATER SYSTEM

Heater system

Key No.	Part No.	Description	Quantity	Type and model
44	113 255 291 E	Hose - Fan housing to heat exchanger from Engine No. 7 336 420	2	
45	111 501 159 B	Strip 9 mm - Heater pipe	4	
46	113 255 341 A	Clip 25 mm - Connection pipe	2	
47	111 255 309 B	Link - Heating control cable	2	
48	111 255 311	Link pin	2	
49	N 12 434 1	Lock washer 4	4	
50	211 255 359	Pre-heating connecting pipe 900 mm from Engine No. 5 000 001 up to Engine No. H 0 150 202	1 1	Engine - 1.2 Liter Engine - 1.5 Liter
-	113 255 377 A	Pre-heating connecting pipe 630 mm from Engine No. H 0 150 203	1	
51	113 255 737	Clip for connecting pipe	2	
-	211 255 427	Adapter 60 to 50 mm dia. - Heat exchanger	x	
-	211 255 429	Adapter ring - Heater pipe, rear	2	
-	211 255 431 D	Muffler - Heater up to Chassis No. 215 036 650	2	
52	211 255 431 B	Muffler - Heater from Chassis No. 215 036 651	2	
53	211 255 463	Strip 62-87 mm dia. - Muffler	2	
54	221 255 605 A	Heater, rear from Chassis No. 4001	1	221-228, 241, 244
-	211 255 715 A	Heater pipe, 50 mm dia., rear up to Chassis No. 1 306 307	2	
55	211 255 715 B	Heater pipe, 60 mm dia., rear from Chassis No. 1 306 308	2	

MAIN GROUP



FUEL TANK
EXHAUST SYSTEM
HEATER SYSTEM

Heater system

Key No.	Part No.	Description	Quantity	Type and model
-	311 255 720 A	Insulating cover - Heater pipe up to Chassis No. 215 036 650	2	
56	211 255 719 E	Insulating cover - Heater pipe from Chassis No. 215 036 651	2	
57	211 255 717 B	Insulating cover - Heater tube	1	
-	211 255 721	Insulating cover - Heater pipe, intermediate up to Chassis No. 20 - 117 901	1	
58	211 255 723 B	Insulating cover - Heater pipe, intermediate	1	
59	211 255 725 E	Insulating cover - Heater pipe end piece from Chassis No. 4001	1	
60	211 255 463	Strip 62-87 mm dia. - Heater pipe and insulation	x	
61	211 255 463	Strip 62-87 mm dia. - Insulation, front	1	
62	211 255 749	Spring - Heater distributor 211 255 881 A	1	
63	211 255 755 C	Fork piece - Heater pipe	1	
64	211 255 765 A	End piece, left - Heater pipe from Chassis No. 4001	1	211-216, 231-238, 261-264
65	211 255 766 A	End piece, right - Heater pipe from Chassis No. 4001	1	
66	221 255 775 A	End cap from Chassis No. 4001	1	221-228, 241, 244, 271-274
67	211 255 785 A	Heater pipe - Intermediate	1	
-	211 255 787	Heater pipe, intermediate up to Chassis No. 20 - 117 901	1	
68	211 255 791	Heater pipe - Intermediate brace	1	
69	221 255 795	Heater pipe, intermediate (LHD) from Chassis No. 20 - 117 902	1	211-273
-	214 255 795	Heater pipe, intermediate (RHD) from Chassis No. 20 - 117 902	1	214-274

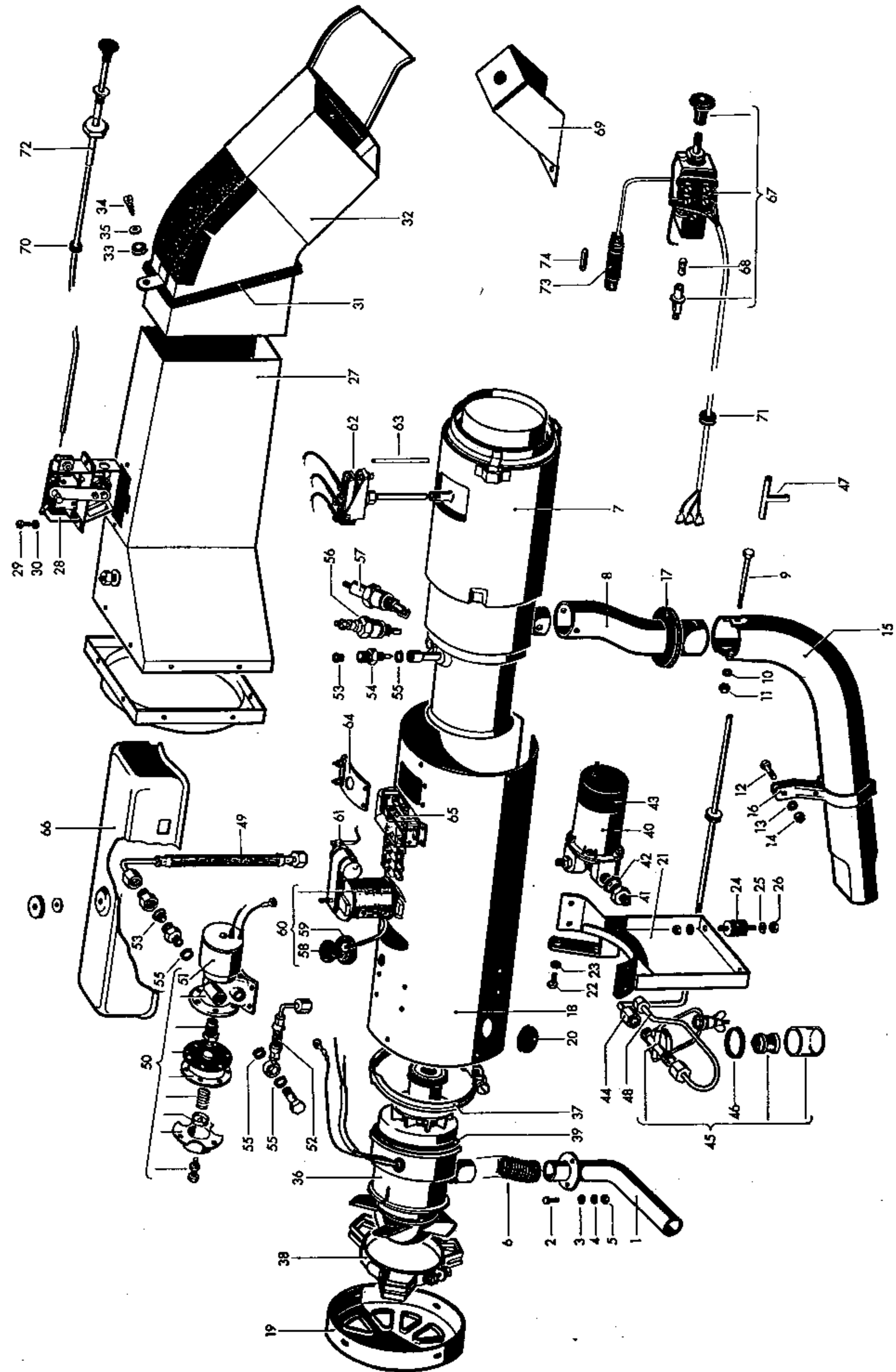
MAIN GROUP



FUEL TANK
EXHAUST SYSTEM
HEATER SYSTEM

Heater system

Key No.	Part No.	Description	Quantity	Type and model
-	211 255 801	Heater pipe, front (LHD) up to Chassis No. 20 - 117 901	1	211-273
70	211 255 801 A	Heater pipe, front (LHD) from Chassis No. 20 - 117 902	1	211-273
-	214 255 801 A	Heater pipe, front (RHD) from Chassis No. 20 - 117 902	1	214-274
71	211 255 825	Heater pipe from Chassis No. 20 - 117 902	1	
72	211 255 829	End piece - Heater (defroster) from Chassis No. 20 - 117 902	1	
73	211 255 881 B	Distributor - Heater from Chassis No. 20 - 117 902	1	
74	111 857 241	Washer (rubber)	x	
75		no longer available		
76	111 881 251	Knob - Lever 043 grey-black	1	
-	211 255 891 A	Junction piece - Heater up to Chassis No. 20 - 117 901	1	



Key No.	Part No.	Description	Quantity	Type and model
---------	----------	-------------	----------	----------------

EBERSPÄCHER STATIONARY HEATER

M 119: 211-244
M 151: 271-274
M 203: 265-268

1	221 261 125	Combustion air pipe	1	
2	N 10 261 1	Bolt, hex. head M 4×15	3	
3	N 11 522 2	Washer A 4.3	3	
4	N 12 004 1	Lock washer B 4	3	
5	N 11 004 2	Nut, hex. M 4	3	
6	311 261 135 B	Hose – Combustion air pipe	1	
		(shorten to 230 mm)		
7	211 261 141	Heat exchanger	1	
8	211 261 145	Exhaust pipe	1	M 119, M 151
9	N 10 310 1	Bolt, hex. head BM 5×50	2	
10	N 12 005 1	Lock washer B 5	2	
11	N 11 005 2	Nut, hex. M 5	2	
12	N 10 216 8	Bolt, hex. head M 6×18	2	
13	N 12 006 2	Lock washer B 6	2	
14	N 11 006 2	Nut, hex. M 6	2	
15	211 261 147	Tail pipe – Exhaust	1	
16	211 261 149	Bracket – Exhaust tail pipe	1	
17	111 261 185	Sealing ring – Exhaust pipe	1	
18	211 261 315	Casing	1	
19	211 261 319	Infake cap – Casing	1	

MAIN GROUP



FUEL TANK
EXHAUST SYSTEM
HEATER SYSTEM

Stationary heater

Key No.	Part No.	Description	Quantity	Type and model
20	211 261 321	Plug - Casing	1	
21	211 261 323	Support - Casing	1	
22	N 10 215 4	Bolt, hex. head M 6×15	2	
23		no longer available		
24	211 261 325	Bonded rubber mounting - Support	2	M 119, M 151
25	N 12 006 2	Lock washer B 6	4	
26	N 11 006 2	Nut, hex. M 6	4	
27	211 261 333	Vent with flap	1	M 119, M 151
28	211 261 355	Regulator switch	1	
29	N 10 695 1	Screw, cheese head AM 4×6	2	
30	N 12 224 1	Lock washer B 4	2	
31	211 261 371	Seal - Vent	1	M 119, M 151
32	211 261 375	Warm air vent	1	M 119
33	111 941 189	Grommet	2	
34	N 11 389 1	Tapping screw, cheese head B 4.8×13	2	
35	N 11 523 3	Washer A 5.3	2	
-	211 261 381	Blower - Combustion air 6 V	1	up to Chassis No. 216 190 000
36	211 261 383	Blower - Combustion air 12 V	1	from Chassis No. 217 000 001
37	211 261 397	Clip - Combustion air blower	1	
38	211 261 399	Support clip - Combustion air blower	1	

MAIN GROUP



FUEL TANK
EXHAUST SYSTEM
HEATER SYSTEM

Stationary heater

Key No.	Part No.	Description	Quantity	Type and model
39	211 261 453	Sealing ring - Combustion air blower	1	
-	311 261 465	Fuel pump 6 V	1	up to Chassis No. 216 190 000
40	311 261 467	Fuel pump 12 V	1	from Chassis No. 217 000 001
41	211 261 469	Union - Fuel pump	1	
42	211 261 471	Sealing washer - Union	1	
43	311 261 473	Bakelite cap - Fuel pump	1	
44	211 261 491	Fuel line	1	
45	311 261 495	Fuel filter	1	
46	111 209 129	Sealing washer	1	
47	341 127 561A	T piece - Fuel line	1	
48	211 261 513	Suction pipe from filter to pump	1	
49	211 261 517	Pump pressure pipe	1	
50	211 261 519 A	Pressure regulator without coil	1	
-	211 261 521	Coil 6 V - Pressure regulator	1	up to Chassis No. 216 190 000
51	211 261 523	Coil 12 V - Pressure regulator	1	from Chassis No. 217 000 001
52	211 261 543	Hose from pressure regulator to fuel jet	1	
53	311 261 533	Strainer	1	
54	211 261 545	Fuel jet	1	
55	N 13 830 2	Washer A 8×12	×	
-	211 261 551	Heater plug 6 V	1	up to Chassis No. 216 190 000
56	211 261 551 A	Heater plug 12 V	1	from Chassis No. 217 000 001
57	211 261 553	Sparking plug	1	

MAIN GROUP



FUEL TANK
EXHAUST SYSTEM
HEATER SYSTEM

Stationary heater

Key No.	Part No.	Description	Quantity	Type and model
58	211 261 557	Spark plug connector	1	
59	211 261 559	Rubber cap - Spark plug connector	1	
-	211 261 563 C	Coil 6 V without connector	1	
		from Chassis No. 217 000 001		
60	211 261 563 B	Coil 12 V without connector	1	
		from Chassis No. 217 000 001		
61	211 261 565	Condenser - Coil	1	
62	311 261 571 A	Thermo switch	1	
-	311 261 573	Seal - Thermo switch	1	
63	311 261 575	Quartz bar	1	
64	211 261 581	Overheating switch	1	
-	211 261 585	Safety switch 6 V	1	
		up to Chassis No. 216 190 000		
65	211 261 587	Safety switch 12 V	1	
		from Chassis No. 217 000 001		
66	211 261 595	Cap	1	
67	211 261 905 A	Push pull switch	1	
-	N 17 722 1	Bulb J 6 V 1.2 W	1	
68	N 17 722 2	Bulb J 12 V 2 W	1	
69	211 261 921	Bracket - Push pull switch	1	
70	131 611 751	Grommet - Cable	2	
71	211 261 927	Grommet - Cable	2	
72	211 261 941	Cable - Regulator switch	1	
73	111 937 093 A	Connector without fuse	1	
74	N 17 121 5	Fuse 25 (blue)	1	
-	211 261 995	Instruction cover - Filler cap	1	

MAIN GROUP



Repair kits

Part No.	Description	Quantity
211 298 001	1 set of securing parts for muffler 211 251 051 B	
	comprising:	
111 251 261 B	Gasket - Exhaust pipe flange	2
111 251 263 A	Gasket - Pre-heating pipe	2
111 251 267 A	Clip - Muffler	3
N 10 215 4	Bolt, hex. head M 6×15	4
N 10 239 1	Bolt, hex. head M 8×18	2
N 10 242 5	Bolt, hex. head M 8×25	1
N 10 710 1	Screw, cheese head AM 6×10	5
N 11 008 3	Nut, hex. M 8	7
N 12 226 2	Spring washer B 6	4
N 11 652 1	Washer 7	5
111 298 007	1 set of securing parts for muffler 211 251 053 C	
	(without securing parts for damper pipe)	
	comprising:	
111 251 221	Seal 32 mm dia. - Exhaust pipe	2
111 251 223	Seal 32 mm dia. - Exhaust pipe	2
111 251 261 B	Gasket - Exhaust pipe flange	2
113 251 263	Gasket 19 mm inner dia., right - Pre-heating pipe	2
113 251 265	Gasket 6 mm inner dia., left - Pre-heating pipe	1
111 251 269 A	Clip	4
113 251 273	Nut, hex. M 6 (self locking)	4
N 10 215 4	Bolt, hex. head M 6×15	4
N 10 348 3	Bolt, hex. head BM 6×43	4
N 10 710 1	Screw, cheese head AM 6×10	5
N 11 008 3	Nut, hex. M 8	4
N 11 652 1	Washer 7	5
N 12 226 2	Spring washer B 6	4

Part No.	Description	Quantity
111 298 009	1 set of securing parts for muffler 211 251 053 J/L (without securing parts for damper pipe) (up to Engine No. 7 999 651 with 211 298 053 from Engine No. 7 999 652 with 211 298 055) comprising:	
311 101 463	Nut, hex. M 8 (self locking)	4
111 251 241	Seal, 35 mm dia. – between heat exchanger and muffler	2
111 251 233 B	Seal, 35 mm dia. – Exhaust pipe	2
111 251 261 B	Gasket – Exhaust pipe flange	2
113 251 263	Gasket 19 mm inner dia., right – Pre-heating pipe	2
113 251 265	Gasket 6 mm inner dia., left – Pre-heating pipe	1
111 251 269 A	Clip	4
113 251 273	Nut, hex. M 6 (self locking)	4
N 10 215 4	Bolt, hex. head M 6×15	4
N 10 348 3	Bolt, hex. head BM 6×43	4
N 10 710 1	Screw, cheese head AM 6×10	5
N 11 652 1	Washer 7	5
N 12 226 2	Spring washer B 6	4
211 298 053	1 set of securing parts for damper and end pipe on muffler 211 251 053 C/J/L up to Engine No. 7 999 561 comprising:	
111 251 221	Seal, 32 mm dia. – Exhaust pipe	1
111 251 223	Seal, 32 mm dia. – Exhaust pipe	1
211 251 225	Clip – Tail pipe	1
211 251 245	Rubber buffer	1
211 251 247	Bush, length 18 mm	1
211 251 249	Bush, length 14 mm	1
111 251 269 A	Clip	2
113 251 273	Nut, hex. M 6 (self locking)	2
111 821 149 A	Spring washer	1
N 10 238 3	Bolt, hex. head M 8×15	1
N 10 242 5	Bolt, hex. head BM 8×25	1
N 10 335 4	Bolt, hex. head M 8×35	1
N 10 348 3	Bolt, hex. head BM 6×43	2
N 11 008 3	Nut, hex. M 8	2
N 11 008 5	Nut, hex. M 8	1
N 11 526 2	Washer B 8.4	1
N 12 008 2	Lock washer B 8	1

Part No.	Description	Quantity
211 298 055	1 set of securing parts for damper and end pipe for muffler 211 251 053 J/L from Engine No. 7 999 652 comprising:	
111 251 221	Sealing washer, 32 mm dia. – Tail pipe	1
111 251 223	Seal, 32 mm dia. – Exhaust pipe	1
211 251 225	Clip – Tail pipe	1
111 251 269 A	Clip	2
113 251 273	Bolt, hex. head M 6 (self locking)	2
211 251 307	Clip – Damper pipe bracket	1
N 10 348 3	Bolt, hex. head BM 6×43	2
N 10 242 5	Bolt, hex. head BM 8×25	2
N 10 238 7	Bolt, hex. head M 8×15	3
N 11 008 5	Nut, hex. M 8	5
N 11 526 2	Washer B 8.4	3
N 12 008 2	Lock washer B 8	3
111 298 095	1 set of mounting parts for 1 heater junction box up to Engine No. 7 336 419 comprising:	
111 251 221	Sealing washer, 32 mm dia.	1
111 251 223	Seal, 32 mm dia.	1
111 251 261 B	Gasket – Exhaust pipe flange	1
111 251 269 A	Clip	2
113 251 273	Nut, hex. M 6 (self locking)	2
N 10 348 3	Bolt, hex. head BM 6×43	2
N 11 008 3	Nut, hex. M 8	2
111 298 101	1 set of mounting components for heater control cable up to Chassis No. 216 054 821 comprising:	
111 255 281	Bush – Heater control cable	1
111 255 285	Screw – Bush	1
N 11 106 1	Nut, hex. AM 6	1
N 12 226 2	Spring washer B 6	1

Part No.	Description	Quantity
111 298 101 A	1 set of mounting components for heater control cable from Chassis No. 216 054 822	
	comprising:	
111 255 309 B	Link - Heating control cable	1
111 255 311	Link pin	1
311 129 777	Pin - Heating control cable	1
N 10 205 2	Bolt, hex. head M 5x10	1
N 12 434 1	Lock washer 4	1

MAIN GROUP

TRANSMISSION

	Illustration
01 Transmission case up to Chassis No. 469 505	23
01 Transmission case from Chassis No. 469 506	24
07 Gears, Shafts up to Chassis No. 20 - 047 101	25
09 Gears, Shafts (synchromesh) from Chassis No. 20 - 047 102 up to 469 505	26
11 Gears, Shafts (fully synchronized) from Chassis No. 469 506	27
98 Repair kits	—